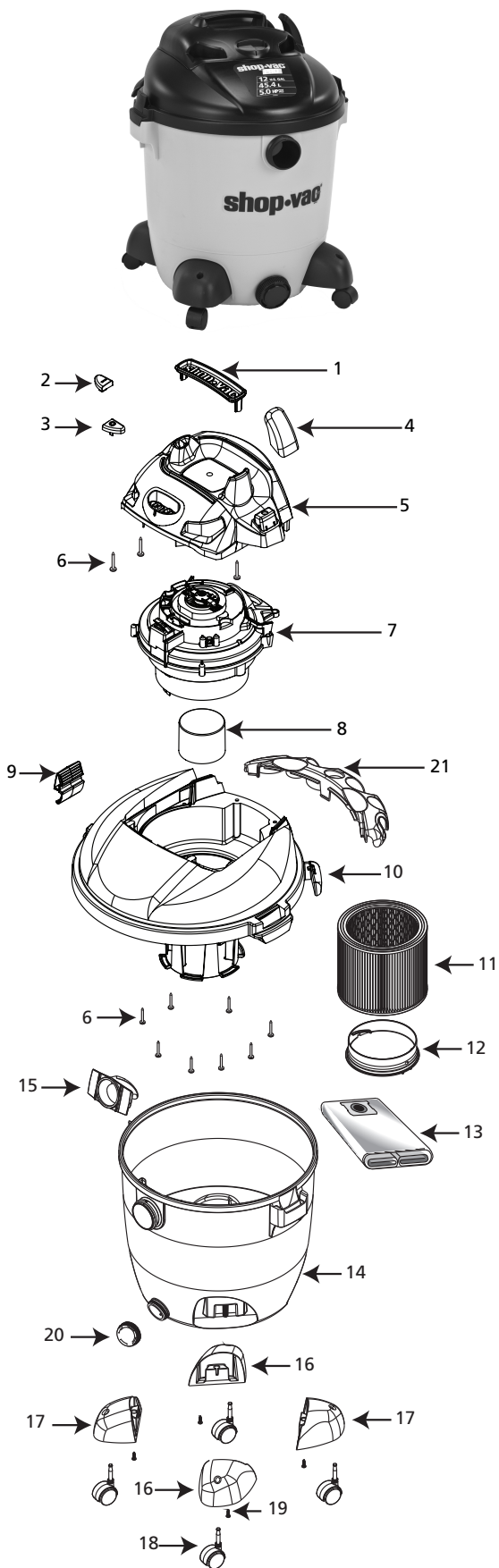


16RT Series

Model 16RT500A



ITEM	DESCRIPTION	PART NO.
1	Handle	3751031
2	Switch Button - I	7414200
3	Switch Button - O	7414210
4	Cord Hook	3856430
5	Motor Cover Assembly	2432221
6	Screw 10 - 3/4" Trilobe, Twin Lead	1517699
7	Power Unit Assembly	8130697
8	Float	3545000
9	Lid Latch	7441601
10	Lid Cage & Latch Assembly	1944705
11	Cartridge Filter	90304
12	Filter Retainer	3008000
13	Disposable Filter Bag	90662
14	Tank Assembly	1027397
15	Inlet Deflector	7413100
16	Casterfoot A	8568000
17	Casterfoot B	8568010
18	Caster	6774200
19	Screw 10 x 3/4" SL Hex Head	1503999
20	Drain Cover	7446800
21	Tool Holder	8412000

* Replacement parts may differ from original equipment.

THREE-YEAR HOME USE WARRANTY

Your Shop-Vac® vacuum cleaner is warranted in normal household use, in accordance with the User Manual, against original defects in material and workmanship for a period of three years from date of purchase. Should this product be used for commercial or rental use, a 90 day limited warranty will apply. Shop-Vac Corporation warrants placing this vacuum cleaner in correct operating condition, by repair or parts replacement, during the warranty period, without charge. This warranty does not cover accessories. Use of non-recommended filters and/or accessories may void the manufacturer's warranty.

For product service contact Shop-Vac Corporation, Customer Service, at (570) 326-3557 or go to www.shopvac.com/support. Shop-Vac® assumes no responsibility for damage or faulty performance caused by misuse or careless handling, or where repairs or modifications have been made or attempted by others. Proof of purchase date is required. This warranty gives you specific legal rights, and you may also have other rights, which vary from state to state. This warranty is void outside of the United States.